

REVISIONS				
ZONE	REV.	DESCRIPTION	DATE	APPROVED
		ORIGINAL RELEASE	5/1/98	

SPECIFICATIONS:

- **FREQUENCY:** 0.5 GHz TO 18 GHz
- **INSERTION LOSS:** REFLECTIVE: 2.5db
..... ABSORPTIVE: 3.5db
- **ISOLATION:** 0.5 GHz TO 2 GHz: 60db
..... 2 GHz TO 18 GHz: 50db
- **VSWR:** REFLECTIVE IN/OUT: 2.0:1
..... ABSORPTIVE IN/OUT: 2.0:1
..... ABSORPTIVE OUT/OFF: 2.0:1
- **SPEED:** RISE: 10ns TYPICAL, 15ns MAX.
..... FALL: 10ns TYPICAL, 15ns MAX.
..... DELAY ON: 75ns TYPICAL, 100ns MAX.
..... DELAY OFF: 75ns TYPICAL, 100ns MAX.
- **POWER INPUT:** (CW)+20dBm (STANDARD), +10 dBm (HIGH SPEED)
- **SURVIVAL POWER:** 1 WATT CW, 10 WATTS PEAK 1 usec
- **CONTROL:** TTL LOGIC "0"=ON "1"=OFF
- **POWER SUPPLY:** +5V @ 100 mA MAX.
..... -5V @ 75mA MAX.(RELECTIVE)
..... 100mA MAX.(ABSORPTIVE/NON-REFLECTIVE)

OPTIONS:

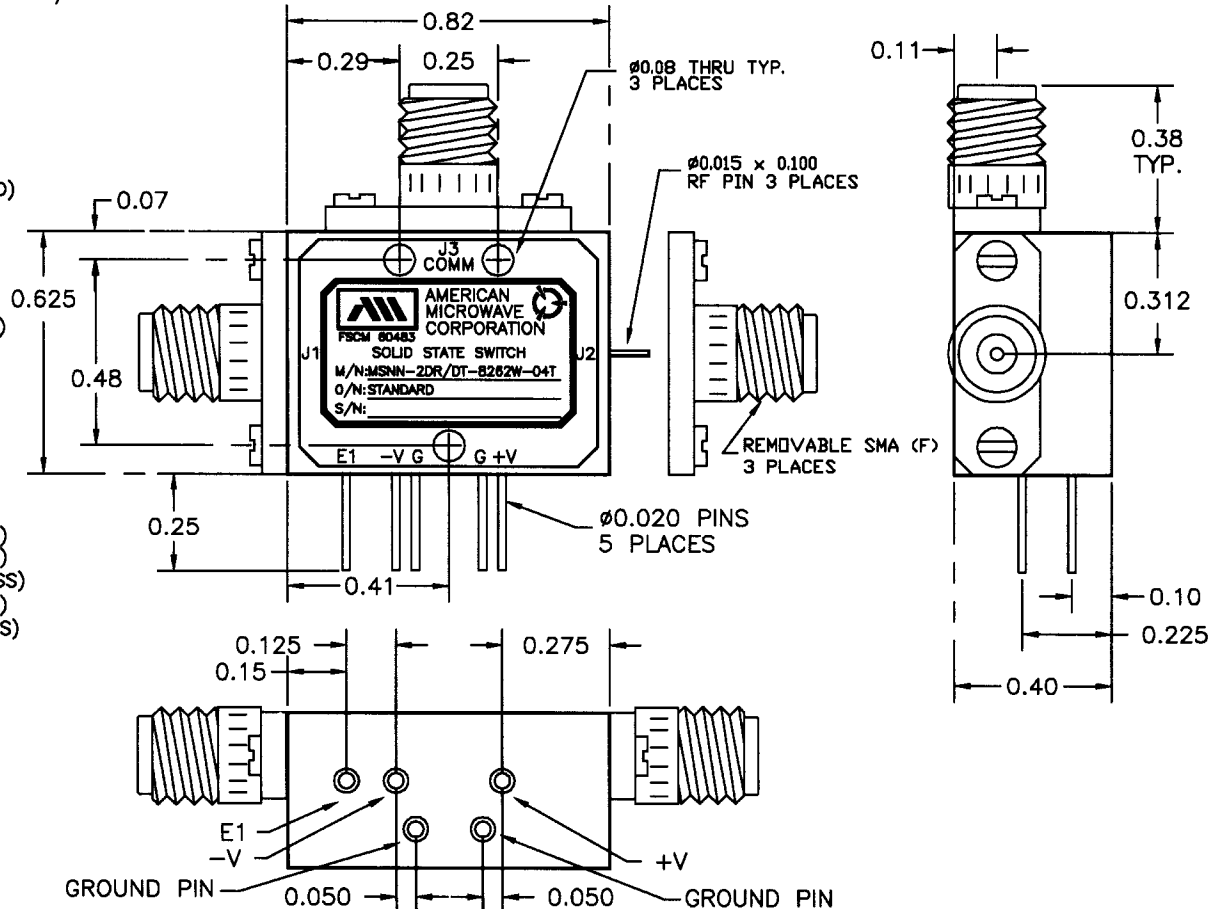
SINGLE CONTROL WITH SOLDER PIN STANDARD

- IND-SP INDEPENDANT CONTROL WITH SOLDER PIN
- 10M18 10 MHz TO 18 GHz (INSERTION LOSS INCREASES BY 1.5db AT 10 MHz AND 0.5db AT 18 GHz)
- 100M18 100 MHz TO 18 GHz (INSERTION LOSS INCREASES BY 1.5db AT 100 MHz AND 0.5db AT 18 GHz)
- 118 1 GHz TO 18 GHz (NO CHANGE IN INSERTION LOSS)
- 218 2 GHz TO 18 GHz (NO CHANGE IN INSERTION LOSS)
- 412 4 GHz TO 12.4 GHz (NO CHANGE IN INSERTION LOSS)
- 618 6 GHz TO 18 GHz (NO CHANGE IN INSERTION LOSS)
- 1218 12 GHz TO 18 GHz (NO CHANGE IN INSERTION LOSS)
- 100M20 100 MHz TO 20 GHz (INSERTION LOSS INCREASES BY 1.5db AT 100 MHz AND 1.0db AT 20 GHz)
- 220 2 GHz TO 20 GHz (INSERTION LOSS INCREASES BY 1.0db AT 20 GHz)
- 1020 10 GHz TO 20 GHz (INSERTION LOSS INCREASES BY 1.0db AT 20 GHz)
- B01 -12V POWER SUPPLIES
- B02 -15V POWER SUPPLIES
- B03 REVERSE LOGIC "1"=ON "0"=OFF
- B04 DRIVERLESS, CURRENT CONTROLLED
- B05 HIGH SPEED, TURNON/TURNOFF 20 nsec MAXIMUM WHEN APPLICABLE OR OPTION HS
- B06 HIGH POWER - SPECIFY CW POWER, PEAK POWER, PULSE WIDTH, DUTY CYCLE, RF FREQUENCY AND BANDWIDTH
- B07 CUSTOM DESIGNED PRODUCT- SPECIFY INITIALS OF CUSTOMER
- B08 LOW VIDEO TRANSIENTS - SPECIFY VIDEO BANDWIDTH
- B09 LOW INSERTION LOSS VERSION
- B10 HIGHER ISOLATION VERSION

ENVIRONMENTAL RATINGS:

- **TEMPERATURE:** -55°C TO +85°C (OPERATING)
..... -65°C TO +125°C (STORAGE)
- **HUMIDITY:** MIL-STD-202F, METHOD 103B COND. B
- **SHOCK:** MIL-STD-202F, METHOD 213B COND. B
- **VIBRATION:** MIL-STD-202F, METHOD 204D COND. B
- **ALTITUDE:** MIL-STD-202F, METHOD 105C COND. B
- **TEMPERATURE CYCLE:** MIL-STD-202F, METHOD 107D COND. A

M/N=MODEL NUMBER
O/N=OPTION NUMBER
S/N=SERIAL NUMBER
P/N=PART NUMBER



NOTE:
DR=WITH DRIVER, REFLECTIVE
DT=WITH DRIVER, NON-REFLECTIVE/ABSORPTIVE

ALL DIMENSIONS ARE IN INCHES
TOLERANCES:
X.XX ±0.020
X.XXX ±0.010

PART NO.		AMERICAN MICROWAVE CORPORATION FREDERICK, MARYLAND	
APPROVALS	DATE	TITLE	
DRAWN WSP	5/1/98	OUTLINE DRAWING	
CHECKED		MSNN-2DR/DT-8262W-04T-STANDARD REFLECTIVE OR NON-REFLECTIVE/ABSORPTIVE SOLID STATE SWITCH	
ISSUED		SIZE A	REV. 1
		FSCM NO. 60483	DWG NO. 100-4403-1
		SCALE	SHEET 1 of 1

NOTE: THE ABOVE SPECIFICATIONS ARE SUBJECT TO CHANGE OR REVISION